



Visionary Imaging

Advantages

- Specially designed for veterinary clinics, animal hospitals, emergency treatment centers and veterinary dentists needing mobility in their X-ray system
- Precisely balanced for safe, quick transport
- Simple to move, fast and easy to set up
- Uncomplicated operation
- Superior image quality

Features

- Compatible with all digital imaging systems
- Self-diagnostic microprocessor control
- Digital time display
- All operator controls on elegant hand-held remote timer

Specifications

- Operates on a standard 115V 15 amp power supply (optional 220V)
- X-ray tube - 70 kVp, 8mA
- Focal spot - .8mm
- 2 year warranty

Part Numbers:

Image-Vet 70Plus X-Ray: 9992700900
 X-Ray Mobile Stand: 9992700110
 X-Ray and stand combined: 9992701200

AFP Imaging Corp.

250 Clearbrook Rd.
 Elmsford, NY 10523

Phone: 800.592.6666
 914.592.6100

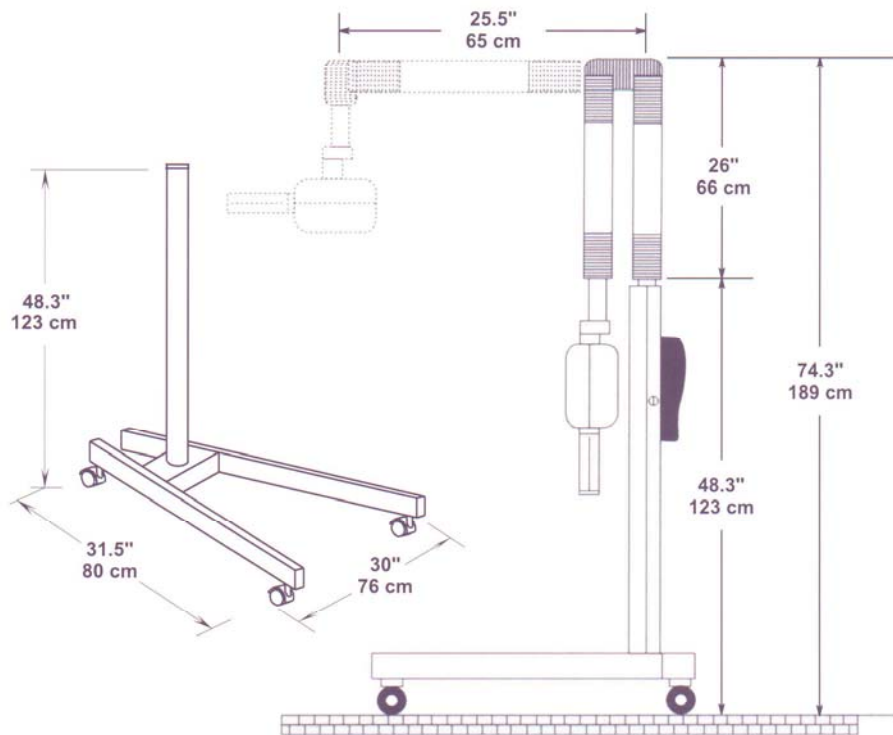
Fax: 914.592.6148

e-mail: marketing@afpimaging.com

Website: www.afpimaging.com

IMAGE-VET 70TM PLUS MOBILE

When your patient can't get to the operatory, move our X-ray to your patient with the Image-Vet 70Plus X-Ray System and Mobile Stand.



OPTIONAL MODEL MOBILE SYSTEM TRANSPORTABLE IN TWO MILITARY GRADE REUSABLE SHIPPING CASES

Special Features For Use With Intraoral Dental X-Ray Unit:

- Quick-Disconnect tubehead retainer system. Makes inserting and removing the tubehead a "snap".
- Folding arm clasp keeps the tensioned folding arm secured for easy transportation. External electrical connector between timer and folding arm simplifies interconnection of components.
- Easy On/Off safety chain helps prevent accidental dropping of tubehead.
- Two rugged, foam-lined, water resistant, military grade, reusable transport cases which make packing up and moving the system quick and easy.
- Contact AFP for complete details.

Complete system with cases:
 P/N: 9992701300

